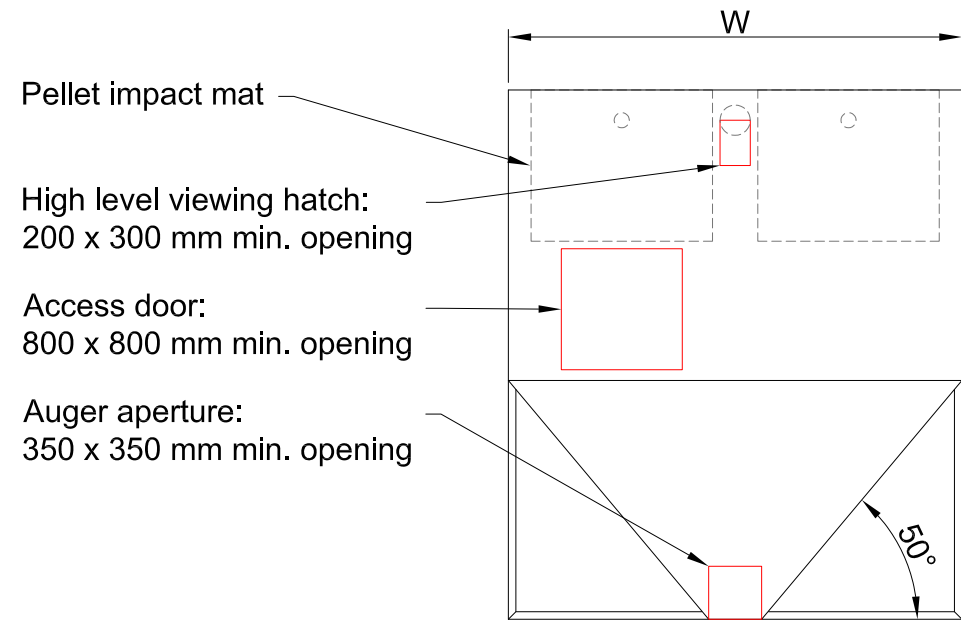
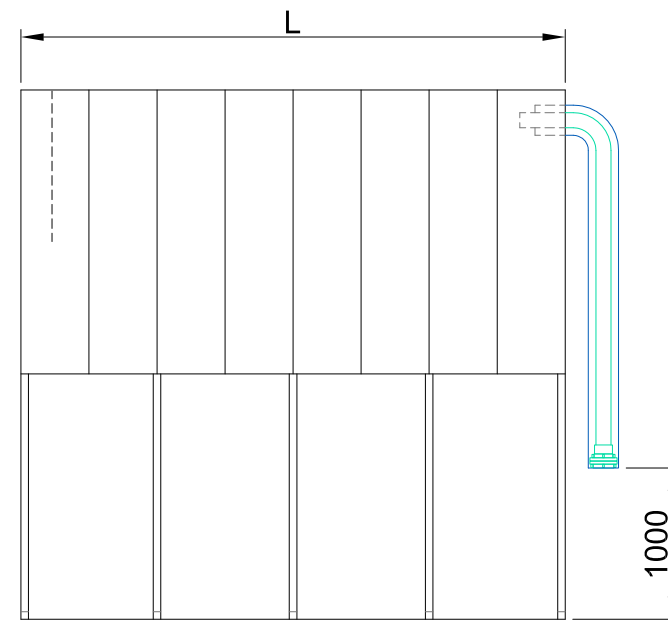


DO NOT SCALE FROM THIS DRAWING. IF IN DOUBT, ASK.

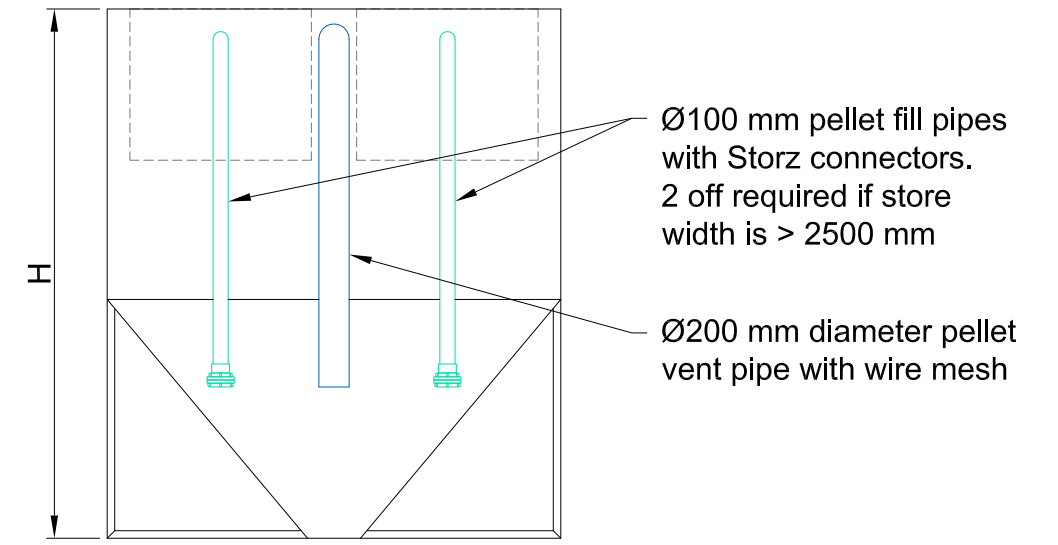
THIS DRAWING IS COPYRIGHT AND MAY NOT BE REPRODUCED EITHER IN PART OR FULL WITHOUT WRITTEN PERMISSION FROM MYRIAD CEG LTD.



View On Arrow 'A'



View On Arrow 'B'



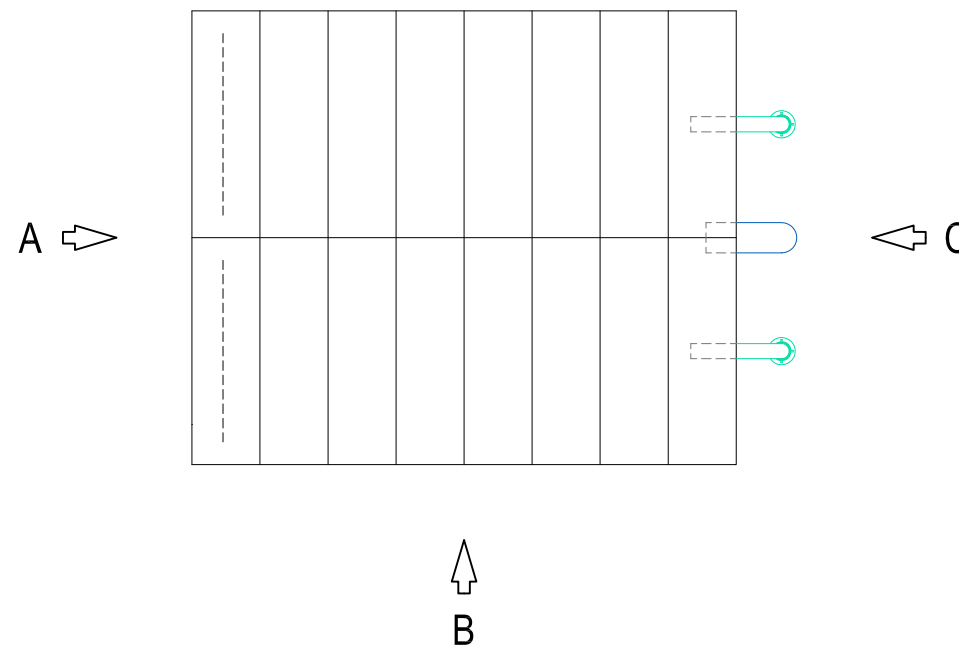
View On Arrow 'C'

Sizes Available (mm):

Length (L) = 2250 / 2700 / 3150 / 3600 / 4050 / 4500 / 4950 / 5400  
 Width (W) = 2400 / 2600 / 2800 / 3000  
 Height (H) = 2000 min. - 3500 max.

Min. internal volume ~ 8 m<sup>3</sup>  
 Max. internal volume ~ 45 m<sup>3</sup>

**Manufactured in galvanised 3 mm steel sheet**



Drawing Name <b>Modular Pellet Silo</b>		
Drawing Number: <b>FS-011</b>	Issue No. <b>01</b>	Sheet No. <b>1 / 1</b>
Scale @ A3: <b>nts</b>		3rd Angle Projection 

**MYRIAD**  
HEAT AND POWER PRODUCTS

Unit 21, Burrough Court, Burrough on the Hill,  
Melton Mowbray, Leicestershire LE14 2QS  
Tel: 0203 189 0665 | Email: info@myriadproducts.co.uk