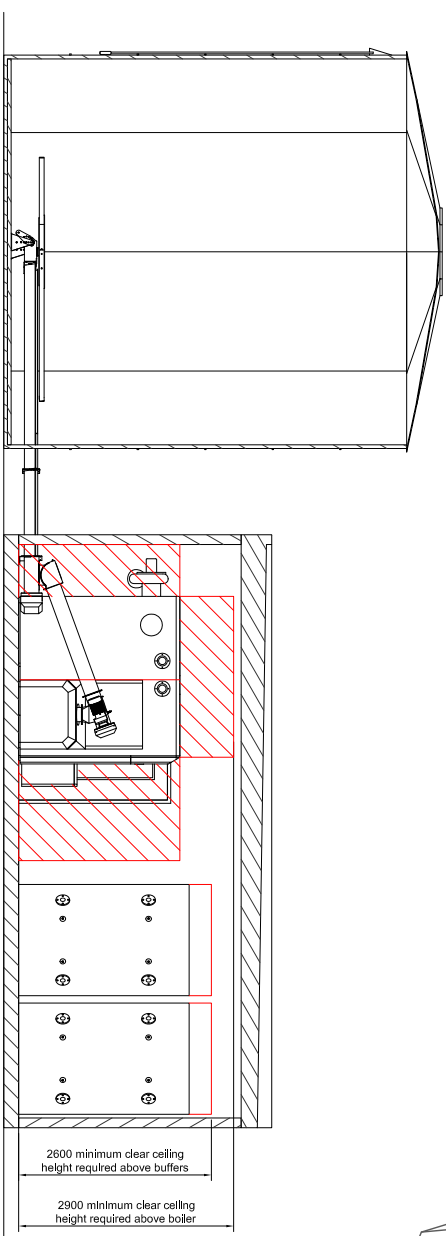
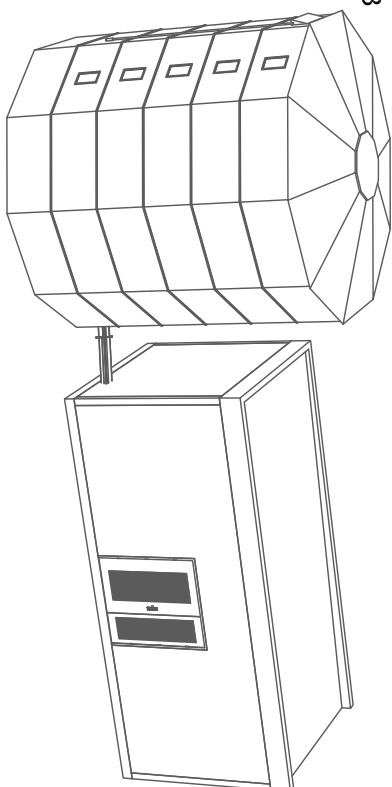
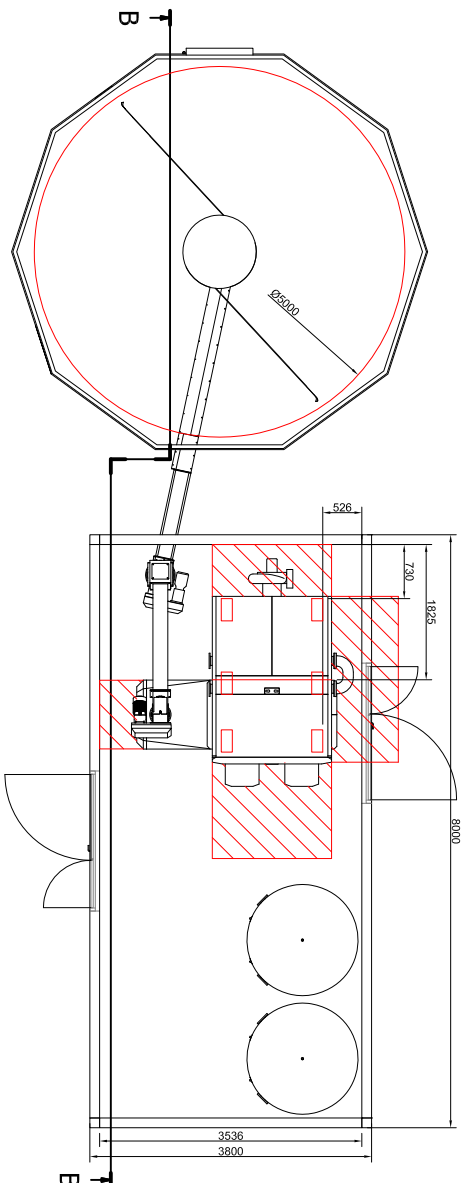


DO NOT SCALE FROM THIS DRAWING. IF IN DOUBT, ASK.

THIS DRAWING IS COPYRIGHTED AND MAY NOT BE REPRODUCED EITHER IN PART OR FULL WITHOUT WRITTEN CONSENT FROM MYRIAD CEG LTD

Notes:

- 1.1 - Ductwork services / installation clearance for the biomass boiler. A route of access must be allowed to these zones.
 - 1.2 - Design based on no plinth cast under the boiler. If boiler is located on plinth then associated ash bins, augers and cyclone must be located on same height plinth.
 - 1.3 - Fire air requirement for 1 no. Friskmatic 401 kW boiler only:
 Fire air volume = 2654 cm³
 Fire air level = 2654 cm²
 - 1.4 - 1400 mm wide by 2300 mm high minimum clear access required for boiler installation.
 - 4-5 - Drawing prepared using sketches received from client.
 - 1.6 - Wall thickness and ceiling heights unknown - Client to confirm.
 - 1.7 - Unless otherwise stated, all fire escape gaps by client and all apertures are to be sealed rust tight / weather proof by client.
 - 1.8 - Suitable access to fuel store and method of tilting to be confirmed with client.
 - 1.9 - Hard standing areas are required to be flat and level.
- General Guidance - Fuel Store:**
- 2.1 - If a bin, Blinn, wood chip or pellet delivery a static discharge head must be installed by the client to ensure safe fuel delivery. The delivery vehicle must be within a maximum of 20m of the fill pipes (5m when using Heiz flexible augers) and suitable pellet impact mats installed.



2600 minimum clear ceiling height required above buffers

2900 minimum clear ceiling height required above boiler

Issue No.	Description	Date	Design	CHKD

Client:

Project Name:

Drawing Name: **Proposed Biomass Plant Layout**

Drawing Number:

Sheet No. 1 / 1

Scale @ A2: 1:50



Myriad CEG Ltd. (Trading as Myriad Heat & Power Products) Unit 21, Burrough Court, Burrough-on-the-Hill, Melton Mowbray, Leicestershire, LE14 2QS
 Tel: 0203 189 0665 info@myriadproducts.co.uk

ISSUE FOR TENDER SUBMISSION ONLY. DETAILS SUBJECT TO CHANGE.