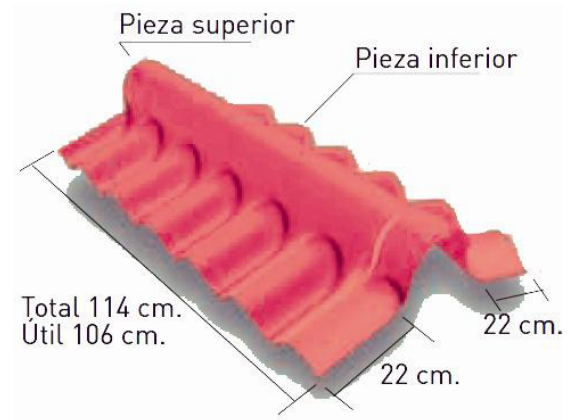
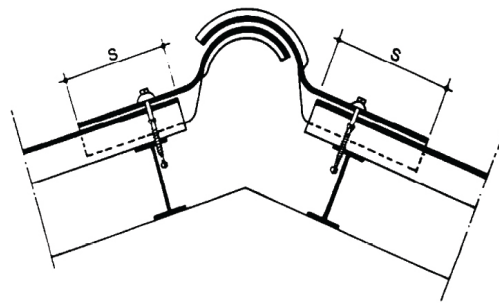


Our Articulated Easel is made from cement reinforced with natural synthetic fibers (PVA), with rustic finish inorganic pigments which are used for its colouration.



## TECHNICAL DRAWING



All measurements in this technical drawing are in millimetres (mm)

## SIZES

At Tubex, we manufacture a collection of fibre cement products, however if we do not have the size you are requiring for your project, then we will be able to provide you with a specialist quotation to best suit your projects needs.

Length	Dry Weight	Measurements (units)		
		ft	in	m
1140 mm	6.8 kg	3.74	44.88	1.14

## COLOURS AND FINISHES

Take a look at the different finishes and colours which we can produce our this product in.

### STANDARD



NATURAL GREY

### OTHER



RUSTIC

## APPLICABLE REGULATIONS

-  Classification: EN 494; C1X-NT (Asbestos free)
-  Use according to UNE Standard 88111
-  Metallic Fixings: UNE 88121
-  Tightness: UNE 88122
-  Cut on Site: UNE 412



## SPECIFICATIONS

---

<b>Lengths</b>	1.14 cm
<b>Wings Length</b>	22 cm
<b>Nominal Plate Thickness</b>	6.5 - 7 mm
<b>Dimension Tolerance</b>	According
<b>Reaction To Fire</b>	Class A1 UNE-EN13501
<b>External Fire Behaviour</b>	According
<b>Heat / Rain / Snow Resistance</b>	According
<b>Weight</b>	Superior: 6.8 Kg, Inferior: 6.2 Kg