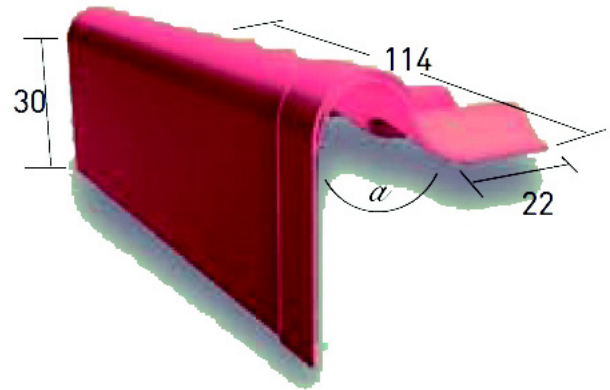
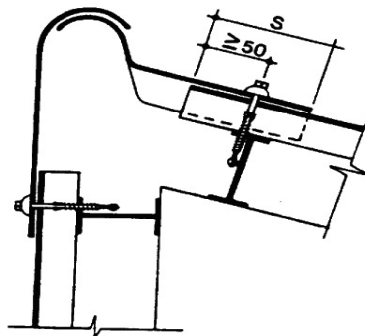


Our Sawtooth Articulated Easel is made from cement reinforced with natural synthetic fibers (PVA), with rustic finish inorganic pigments which are used for its colouration.



## TECHNICAL DRAWING



All measurements in this technical drawing are in millimetres (mm)

## SIZES

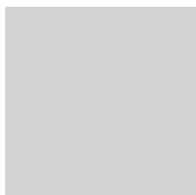
At Tubex, we manufacture a collection of fibre cement products, however if we do not have the size you are requiring for your project, then we will be able to provide you with a specialist quotation to best suit your projects needs.

| Length  | Dry Weight | Measurements (units) |       |      |
|---------|------------|----------------------|-------|------|
|         |            | ft                   | in    | m    |
| 1140 mm | 6 kg       | 3.74                 | 44.88 | 1.14 |

## COLOURS AND FINISHES

Take a look at the different finishes and colours which we can produce our this product in.

### STANDARD



NATURAL GREY

### OTHER



RUSTIC

## APPLICABLE REGULATIONS

-  Classification: EN 494; C1X-NT (Asbestos free)
-  Use according to UNE Standard 88111
-  Metallic Fixings: UNE 88121
-  Tightness: UNE 88122
-  Cut on Site: UNE 412



## SPECIFICATIONS

---

|                                      |                              |
|--------------------------------------|------------------------------|
| <b>Lengths</b>                       | 1.14 cm                      |
| <b>Wings Length</b>                  | 22 cm                        |
| <b>Nominal Plate Thickness</b>       | 6.5 - 7 mm                   |
| <b>Dimension Tolerance</b>           | According                    |
| <b>Reaction To Fire</b>              | Class A1 UNE-EN13501         |
| <b>External Fire Behaviour</b>       | According                    |
| <b>Heat / Rain / Snow Resistance</b> | According                    |
| <b>Weight</b>                        | Upper: 6.0 Kg, Lower: 6.2 Kg |