

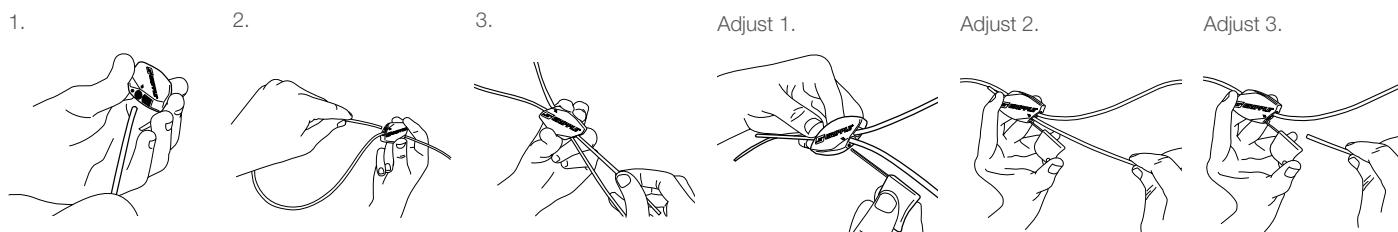
The stainless steel HF Classic hangers are used to suspend a variety of HVAC, mechanical and electrical services in the food industry and high humidity environments.

## FEATURES / BENEFITS

- Stainless steel housing and springs are corrosion resistant and durable in humid and saturated environments
- Ceramic rollers provide extra strength and corrosion resistance
- Aesthetically discreet and lightweight
- Available in two sizes with load ratings of 45 kg (No. 2) and 90 kg (No. 3)
- Supplied as a ready to use kit

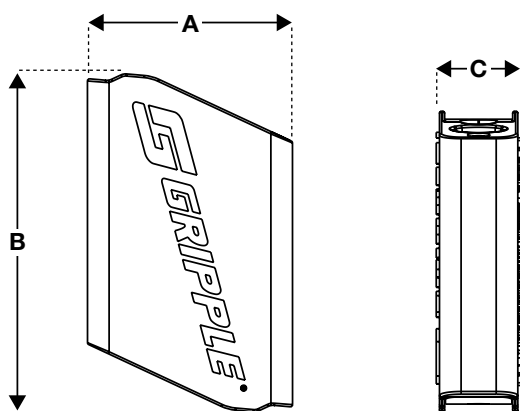


## INSTALLATION & ADJUSTMENT



Ensure a minimum 75 mm of tail wire exit the hanger.

## SPECIFICATION



Dimension	No. 2 (mm)	No. 3 (mm)
A	17,4	19
B	24,2	27,7
C	8	8

## AVAILABLE END FIXINGS



For more options on available end fixings please contact us or visit [www.gripple.com](http://www.gripple.com)

## SUBMITTAL INFORMATION

### Safe Working Load:

Not suitable for swimming pool  
No. 2 - 45 kg (5:1)  
No. 3 - 90 kg (5:1)

### Material:

**Housing** - 316L Stainless Steel  
**Roller** - Sintox FA  
**Spring** - Stainless Steel (type 302)  
**End Cap** - PP CP UV Stabilised