

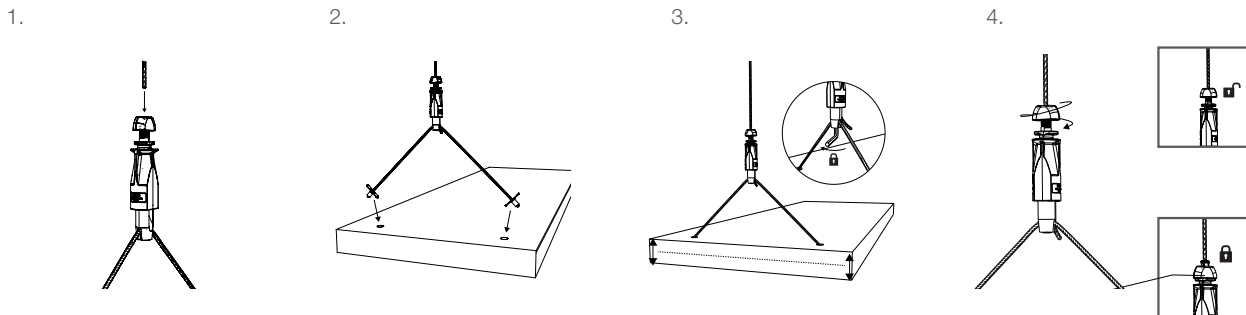
The UniGrip – Y-Fit is a wire rope suspension product designed for the fast suspension of cable containment or lighting.

FEATURES / BENEFITS

- **Quick** – up to 6 times faster than traditional suspension systems
- **Versatile** – designed for lighting or containmen, dual fixing points for balance,
- **Easy** – integral ergonomically designed release button allows for simple adjustment
- **Secure** – button acts as a locking screw and indicator clearly highlights the wire is locked in position for ultimate security
- **Versatile** – legs length available in 150, 300 and 500 mm with a variety of wire end fixings eg. Toggle, Hook etc.
- **Strong** – highest load rating capability to date; up to 110 kg with 5:1 SWL

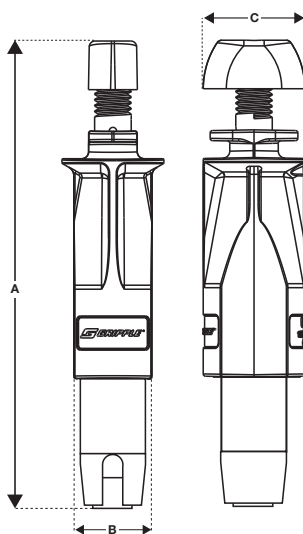


INSTALLATION & ADJUSTMENT



Maximum off axis suspension = 15° (unless otherwise specified by Gripple Technical Services)

SPECIFICATION



No. 2	Dimension	A	B	C
	mm	80	17	20

No. 3	Dimension	A	B	C
	mm	96	17	22

AVAILABLE END FIXINGS



For more options on available end fixings please contact us or visit www.gripple.com

SUBMITTAL INFORMATION

Load Rating:

No. 2 - 55 kg @ 5:1
No. 3 - 110 kg @ 5:1

Material:

Housing – Type ZA2 Zinc

Carriage – Acetal Copolymer

Wedge – Sintered steel hardened to min. 56 Rockwell C

Button – Acetal Copolymer

Y-Fit Adaptor & Grub Screw – Mild Steel (Type EN1A) - Bright Zinc Plated